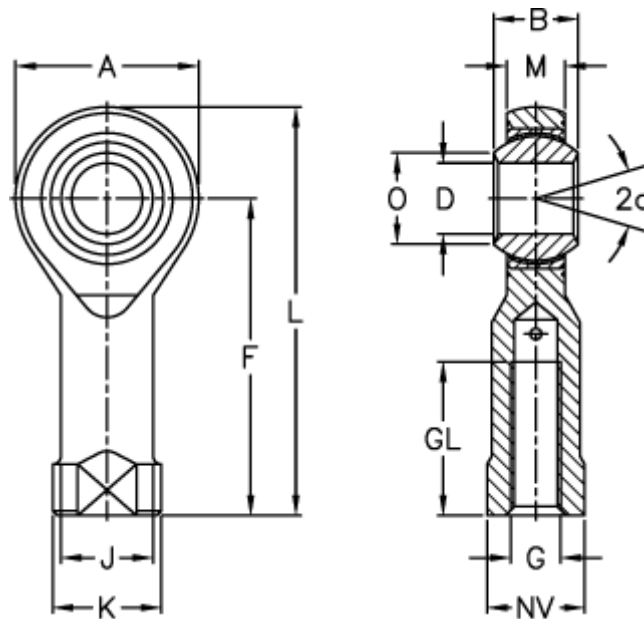


Article number: 03020035

Description: Fluro Rod End GIRSW 35-RR  
Stainless steel complete

## Measures



|                     |         |                     |        |                   |
|---------------------|---------|---------------------|--------|-------------------|
| A                   | = 80    | J                   | = 46   | Weight (g) = 1600 |
| a (degrees)         | = 19    | K                   | = 58   |                   |
| B                   | = 43    | L                   | = 165  |                   |
| D                   | = 35    | M                   | = 28   |                   |
| Dynamic load C (kN) | = 206   | NV                  | = 50   |                   |
| F                   | = 125   | O                   | = 37.7 |                   |
| G                   | = M36x2 | Permissible rpm     | = 110  |                   |
| GL                  | = 56    | Static load C0 (kN) | = 191  |                   |